

Trustworthy Certification

PROSENSE "PE" Series fixed gas detectors are certified with ATEX/IECEx.

Ex-proof Safety

The continuous measurement of explosive gases is done safely in hazardous areas thanks to the ex-proof housing.

Cost-Effective Solutions

"PE" series offers cost-effective solutions in Oil&Gas industries.

Robust and Durable

"PE" performs perfectly under harsh environmental conditions with the IP65 protection class.

Accurate Readings

Long-lasting Catalytic sensors undoubtedly provide an accurate and sensitive measurement.

Universal 4-20mA Analog Signal Output

4-20mA Analog output is simple to operate efficiently and it is universally usable in any control panel.

Quick Response Time

Catalytic sensor in PE offers quick response time with affordable prices.

Durable Sensor

PE Series uses a special Catalytic sensor which has a long life-time

Fall-Safe Technology Alarming

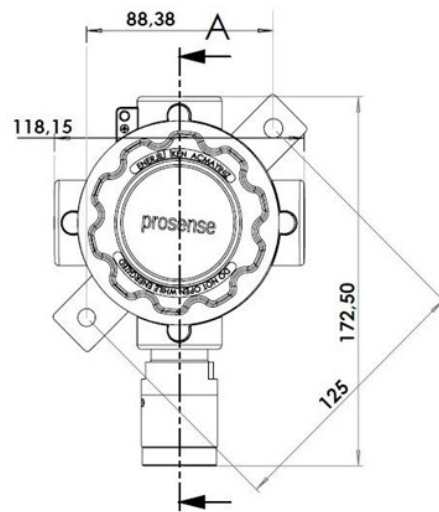
Optional relay module is suitable to use as Alarm1 and Fault. Additionally, it can be arranged as Alarm1 and Alarm2.

Applications

- LNG/LPG
- Oil&Gas
- Gas Distribution Stations

Optional Modules

- **PE-2R:** 2 Relays output card (Alarm1-Fault or Alarm1-Alarm2) (NO/NC adjustable)



Specifications	P-XY12PE
Sensing Element	Catalytic
Output Signal	4-20mA Analog
Sensor Warm-up Time	60sec
Response Time (T90)	<15sec
Accuracy	%±2
Operating Temperature	-40°C ~ +70°C
Humidity	5 ~ 95%RH Non-Condensing
Input	Min 10VDC - Max 28VDC - Nominal 24VDC
Power Consumption	Max. 4W
Optional Relay Outputs	2 Relay Contacts (Alarm1-Fault or Alarm1-Alarm2) (All relays are NO/NC adjustable)
Cable Entry	1/2"NPT
IP Rating	IP65
Junction Box	Epoxy Painted Die-Cast Aluminum
Sensor Head	Nickel-Plated Brass
Dimensions/Weight	172,5x118,15x88mm / 1150gr
ATEX Marking	II 2G Ex db IIC T4-T5 Gb
Hazardous Class	Zone 1 or Zone 2
Certificates	•IMQ 19 ATEX 045 X • IECEx IMQ 18.0009X
Standards	• IEC EN 60079-0 • IEC EN 60079-1 • IEC EN 60079-18

XY	Gas	Product Code	Sensor Type	Measuring Range
30	LPG	P-3012PE	Catalytic	0-100%LEL
31	Methane	P-3112PE	Catalytic	0-100%LEL
32	Petrol Vapour	P-3212PE	Catalytic	0-100%LEL
33	n-Butane	P-3312PE	Catalytic	0-100%LEL
34	Propane	P-3412PE	Catalytic	0-100%LEL
36	Hydrogen	P-3612PE	Catalytic	0-100%LEL

Prosense gas detectors are fully tested and calibrated before delivery. Gas detectors must always be routinely controlled and calibrated regarding EN 60079-29-2.